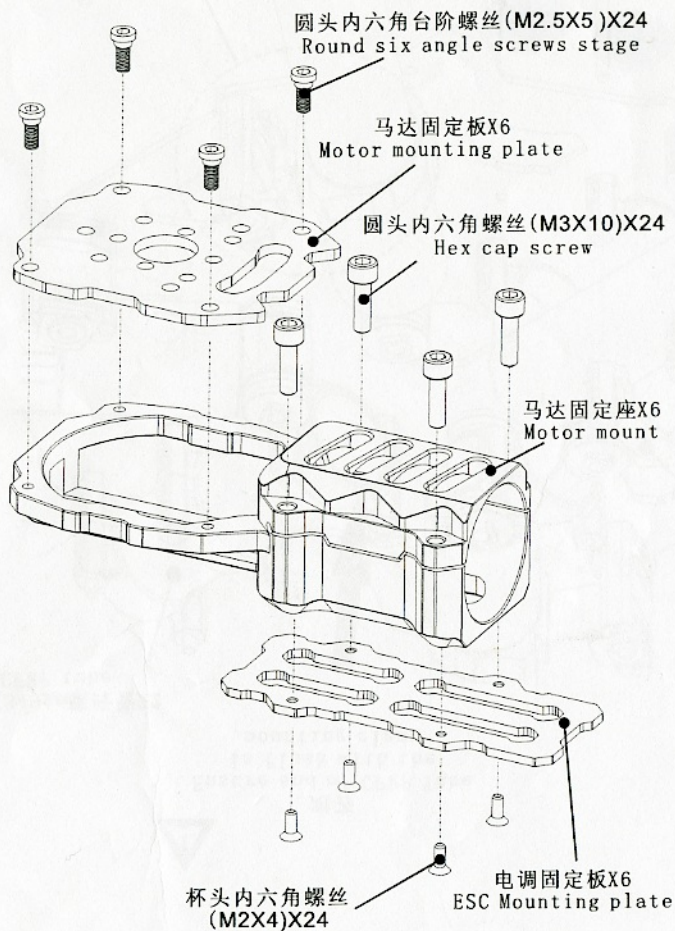
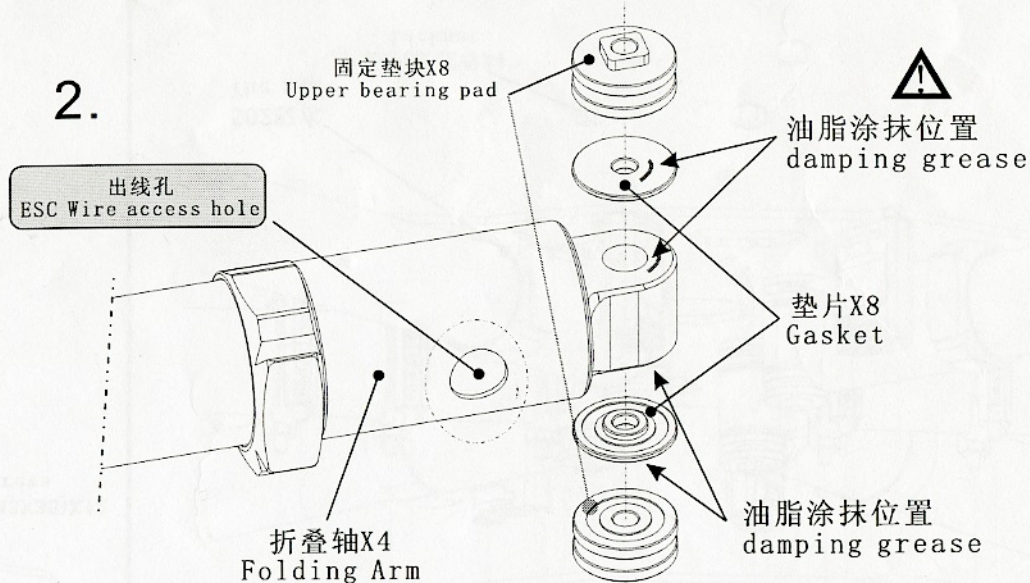


1.

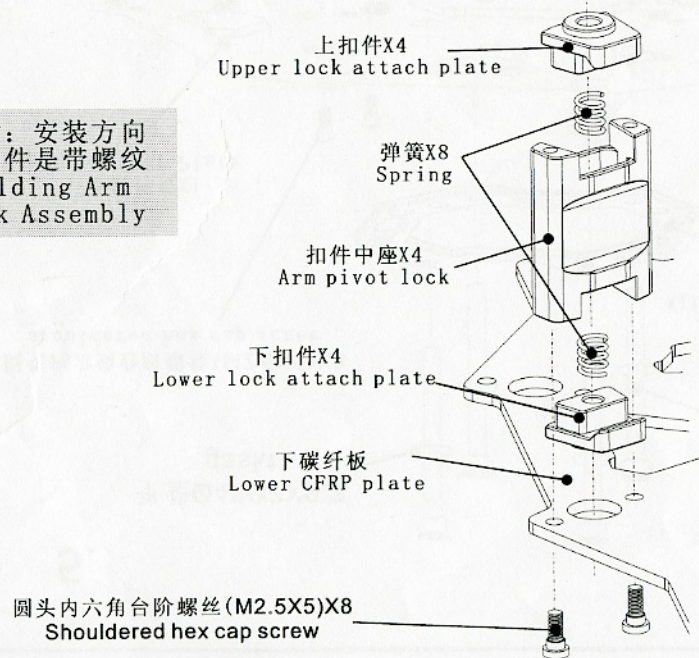


2.



3.

注意：安装方向  
下扣件是带螺纹  
Folding Arm  
Lock Assembly





4.



对齐  
Ensure end of CFRP Tube  
is flush with the  
mounting clamp

Ø25X349mm碳纤维管X2  
CFRP tube

25塑料管夹X12  
nylon clamps

ФНДБ ВЛ (M3X35)X12  
hex cap screws

注意:安装方向  
Note: the installation direction

5.

平垫Ø4XØ7X0.3  
gasket

圆头内六角螺丝 (M4X40)X4  
Hex cap screws

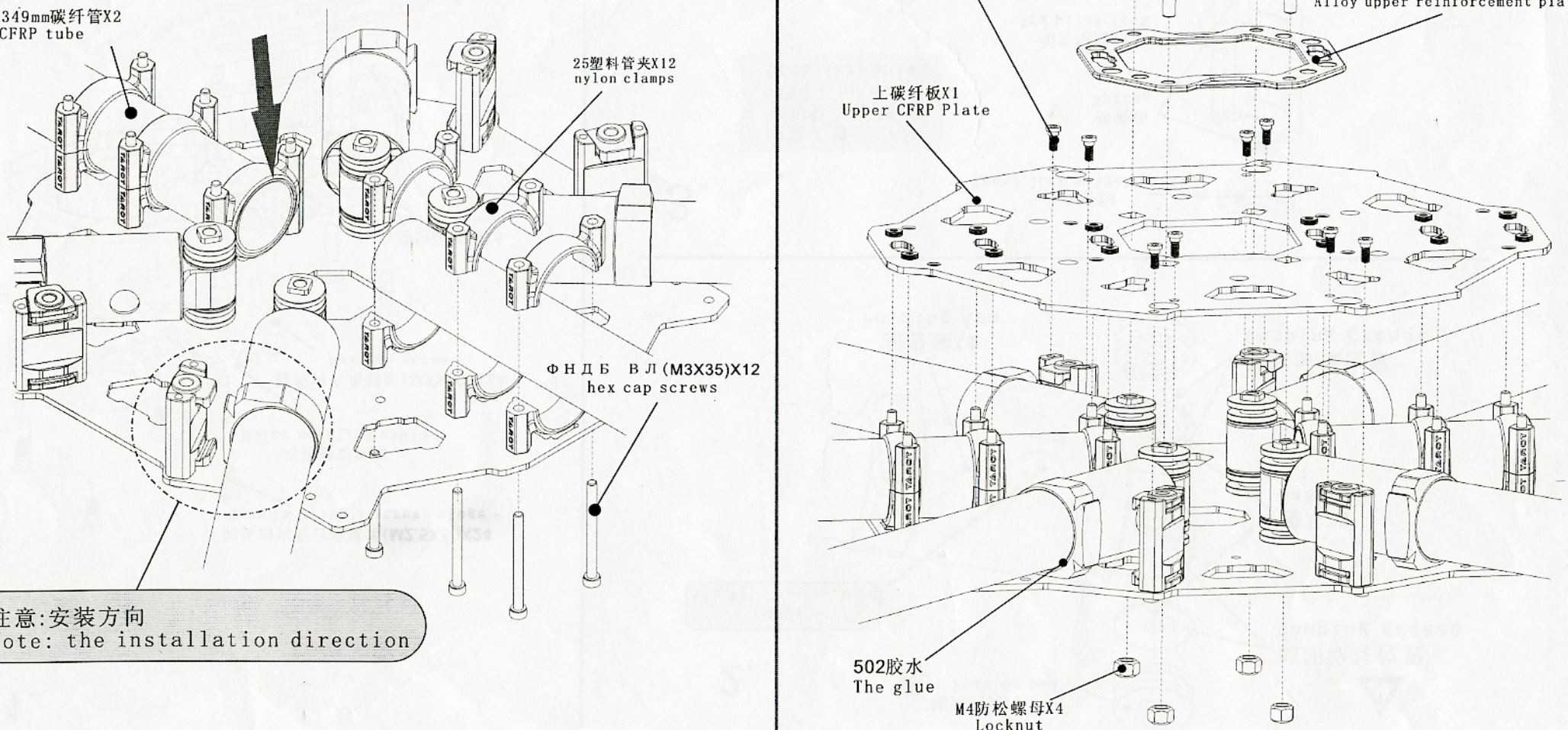
圆头内六角台阶螺丝 (M2.5X5)X8  
shouldered hex cap screw

金属上加强板  
Alloy upper reinforcement plate

上碳纤维板X1  
Upper CFRP Plate

502胶水  
The glue

M4防松螺母X4  
Locknut



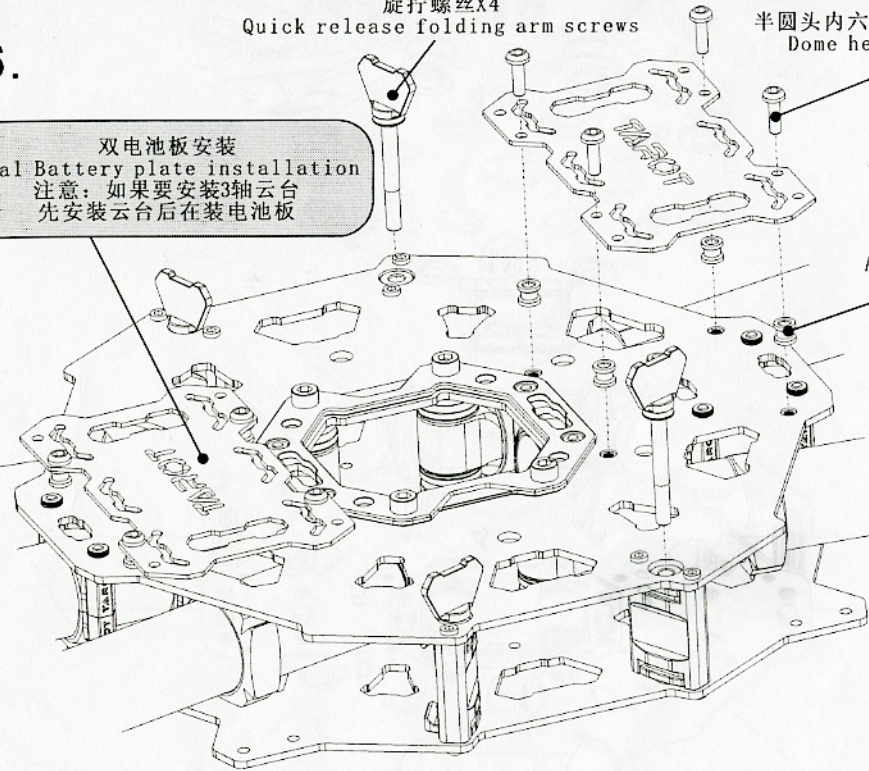


6.

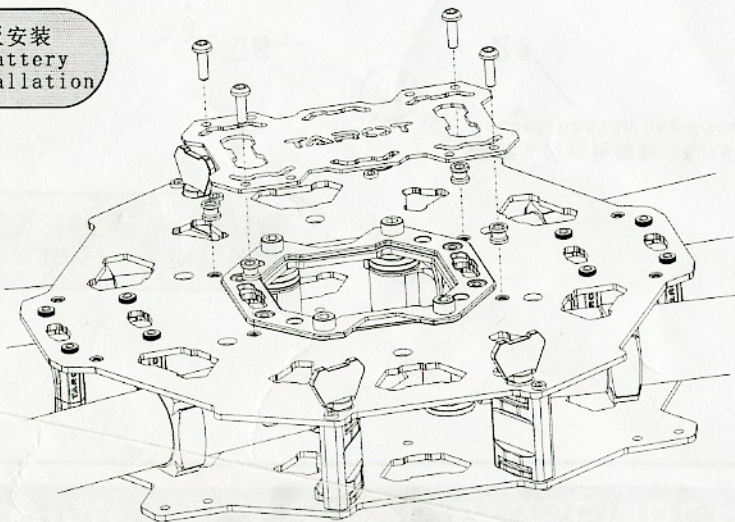
双电池板安装  
Dual Battery plate installation  
注意：如果要安装3轴云台  
先安装云台后再装电池板

旋拧螺丝X4  
Quick release folding arm screws  
半圆头内六角螺丝(M3X10)X8  
Dome head cap screw

铝柱X8  
Alloy spacer



单电池板安装  
Single Battery  
plate installation

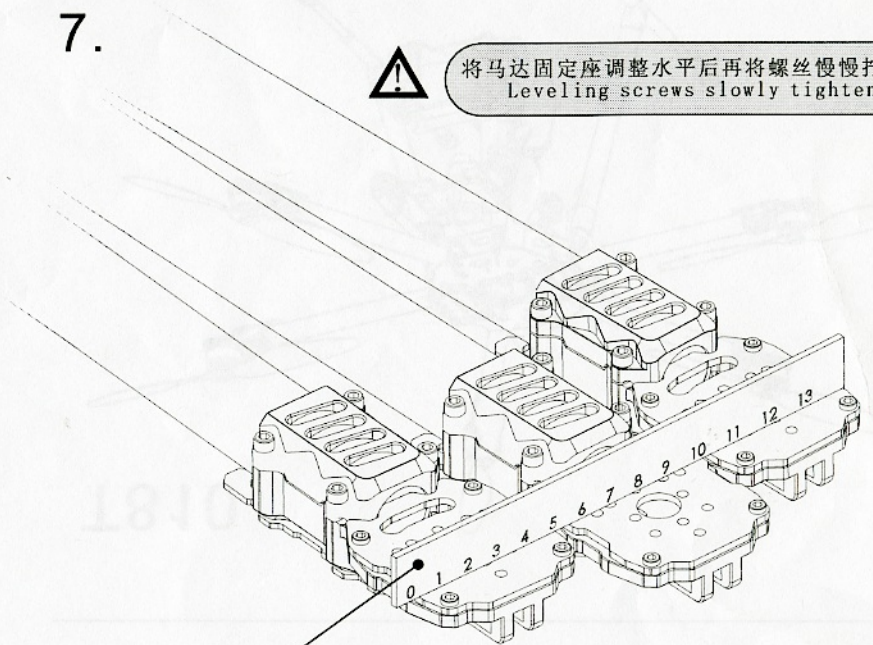


7.



将马达固定座调整水平后再将螺丝慢慢拧紧  
Leveling screws slowly tighten

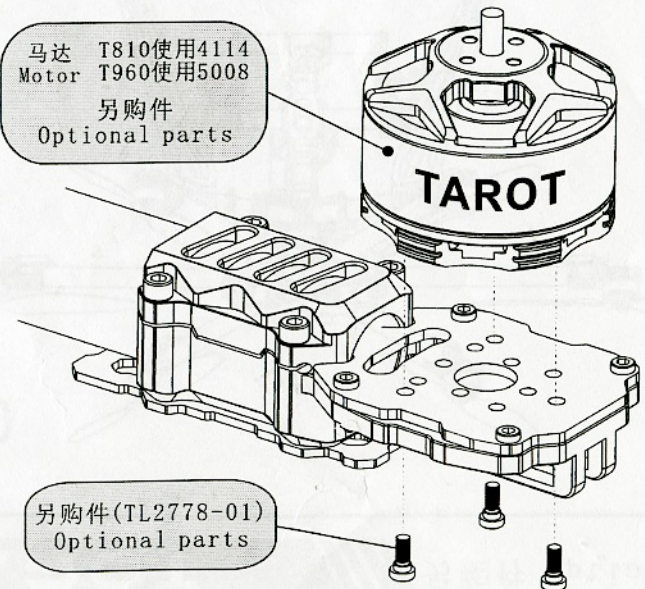
直尺  
Ruler



8.

马达 T810使用4114  
Motor T960使用5008  
另购件  
Optional parts

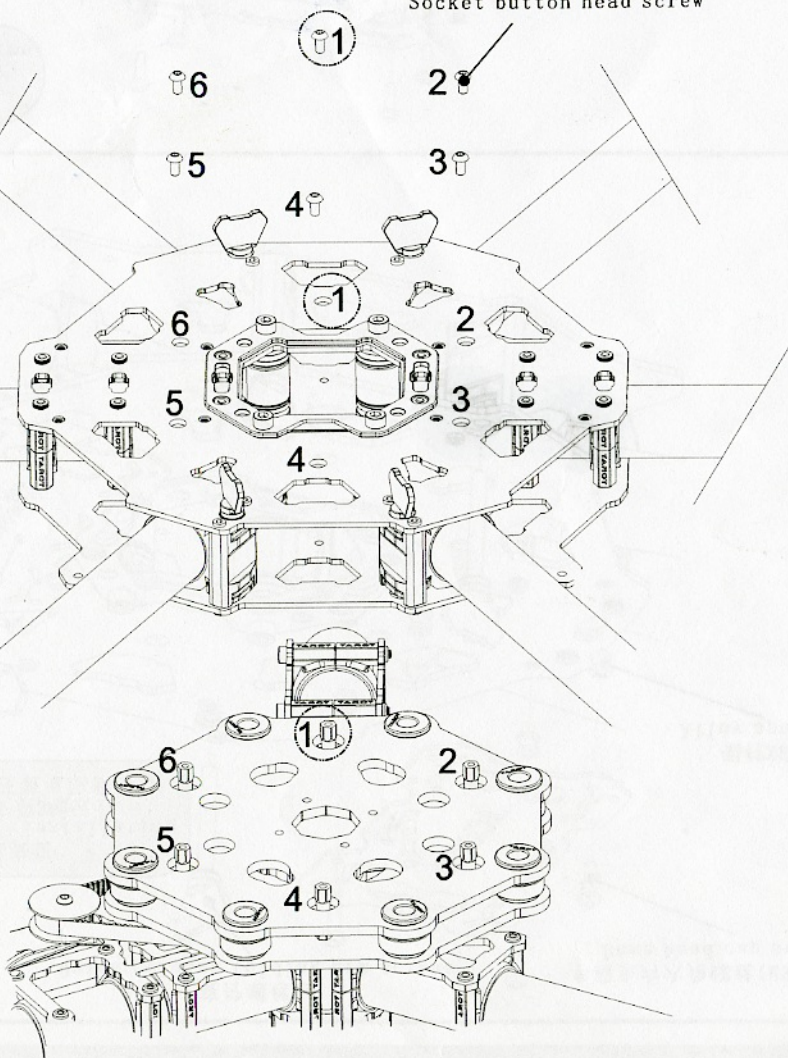
另购件(TL2778-01)  
Optional parts



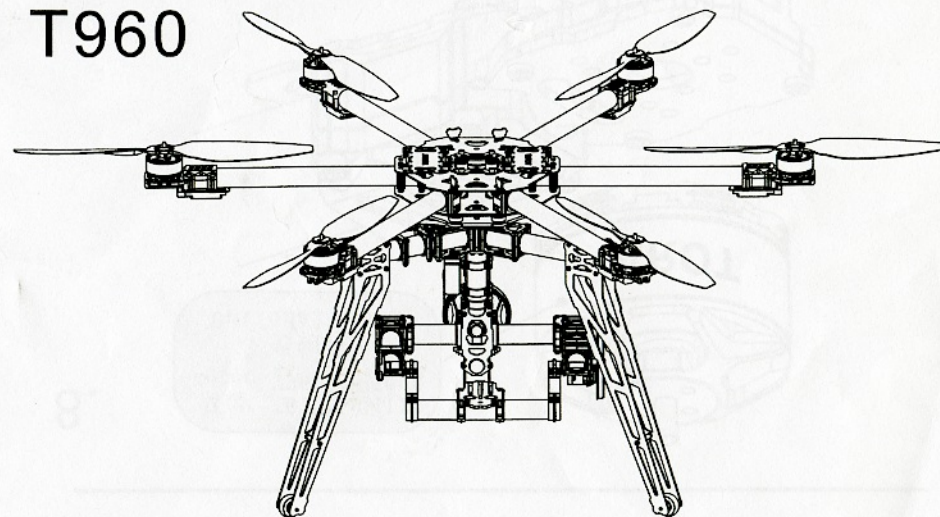


T810安装3轴云台孔位置说明  
注意:先装3轴云台再装电池板

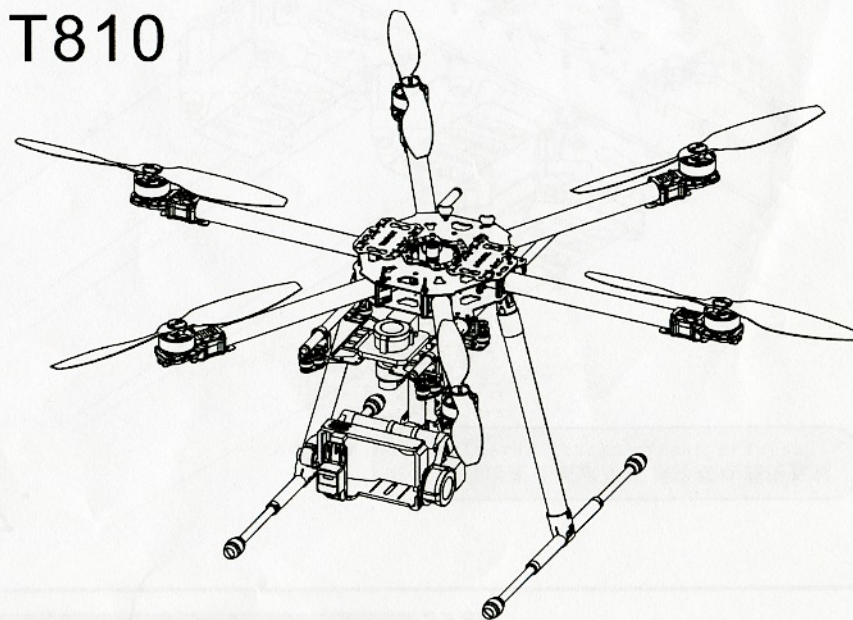
半圆头内六角螺丝 (M3X6) X6  
Socket button head screw



T960



T810

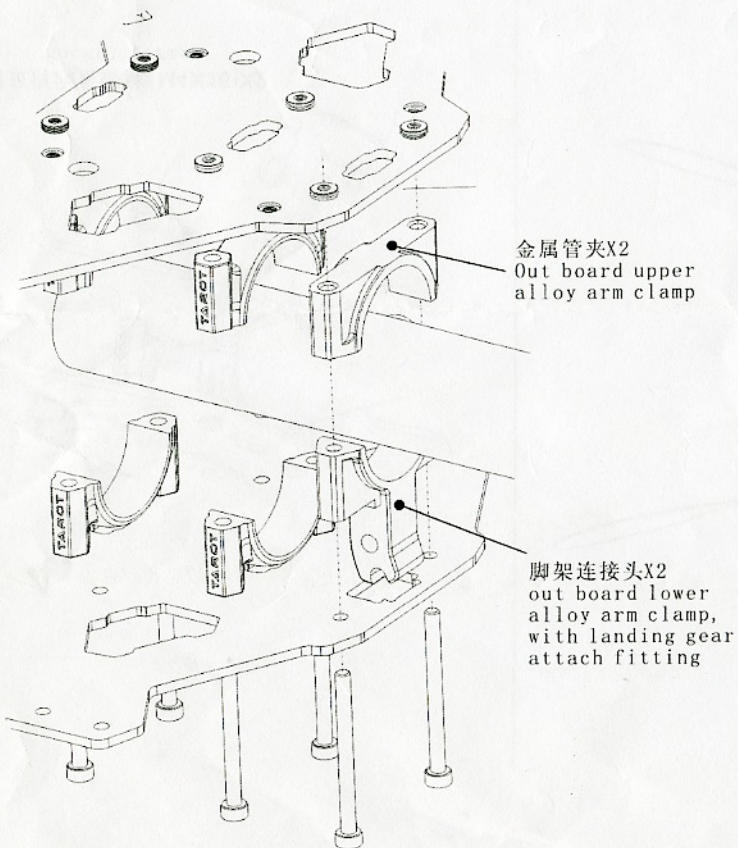




(脚架版本) 脚架组装  
Tricycle landing gear assembly

1.

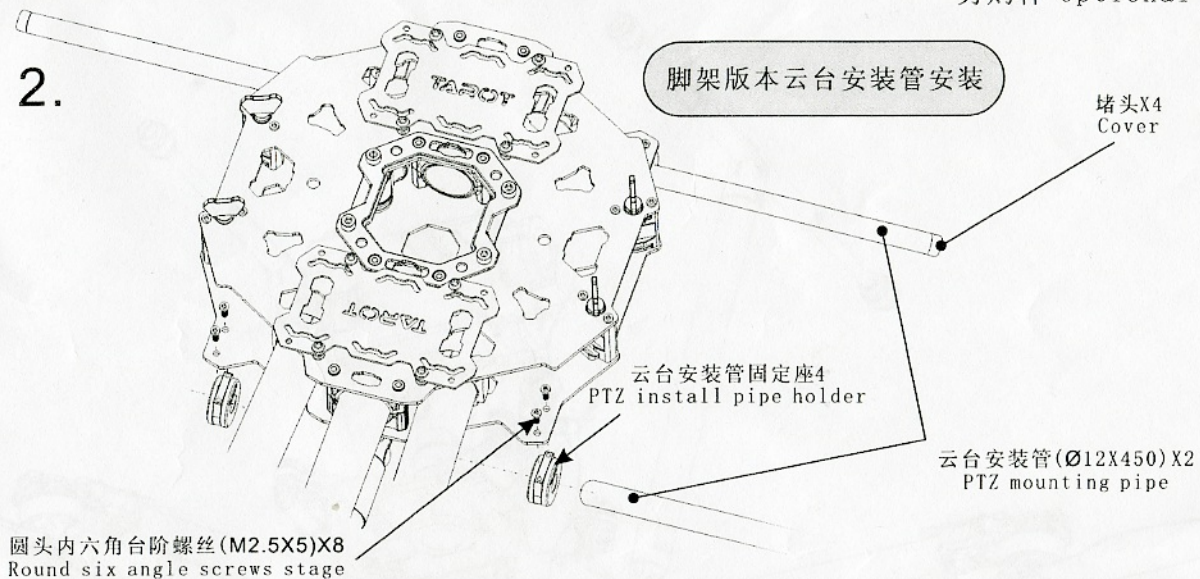
脚架版本金属管夹与脚架接头安装  
Metal pipe clamps and tripod version Tripod connector installation



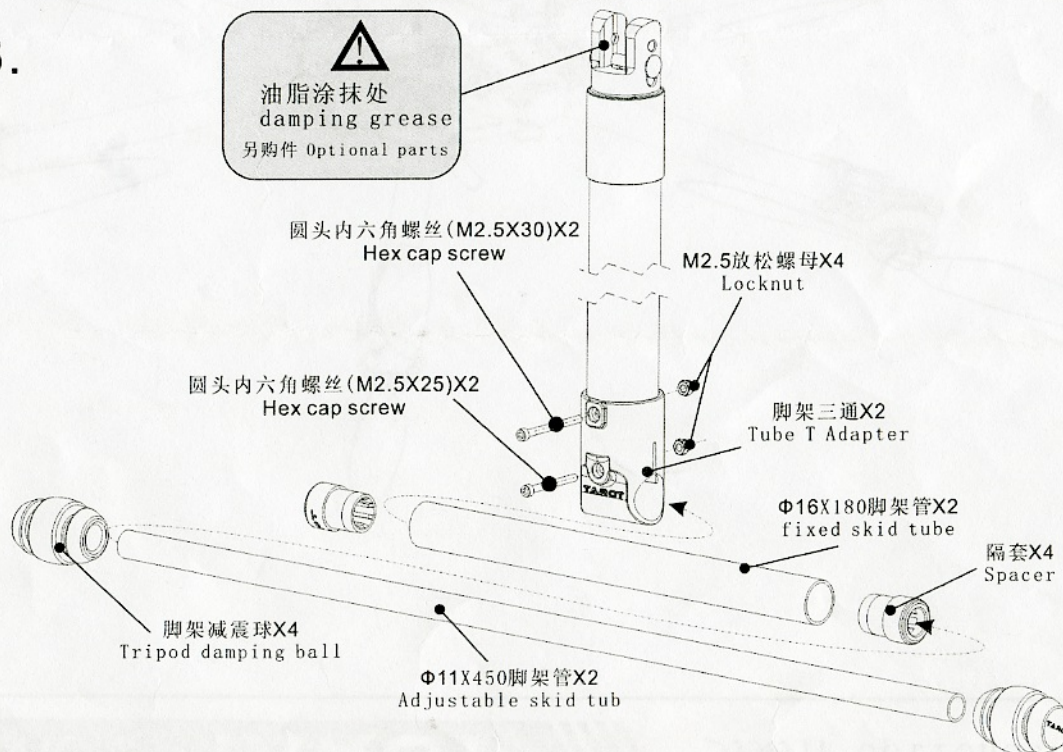
Replace the outboard Arm clamps of 3 equally spaced arms (2,4,6) with the provided alloy clamps

另购件 Optional parts

2.

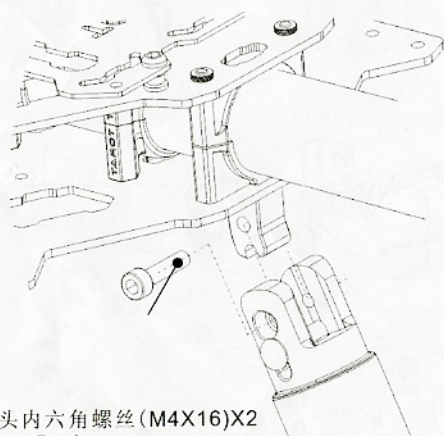


3.





4.



圆头内六角螺丝(M4X16)X2  
Socket screws

